


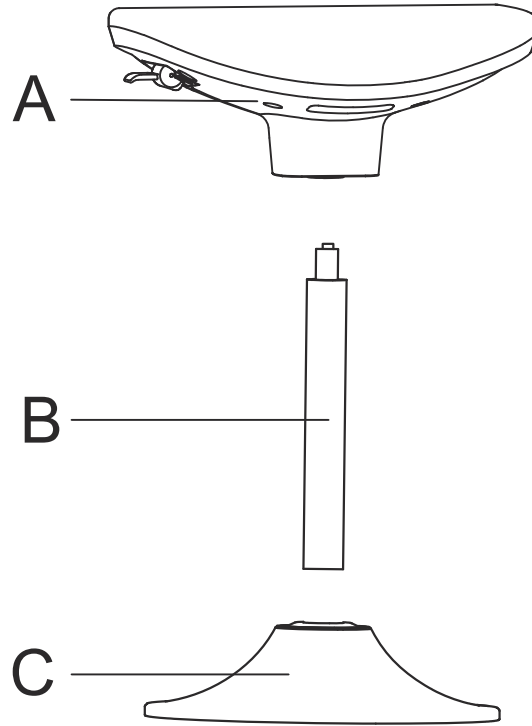


PART		Qty.
A		1
B		1
C		1

1



2

