

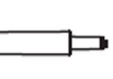


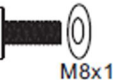
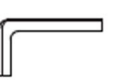

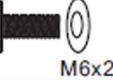


Part	Picture	Qty.
A		5
B		1
C		1
D		1
E		1
F	 M8x16	3
G		1
H		2
I	 M6x25	6

